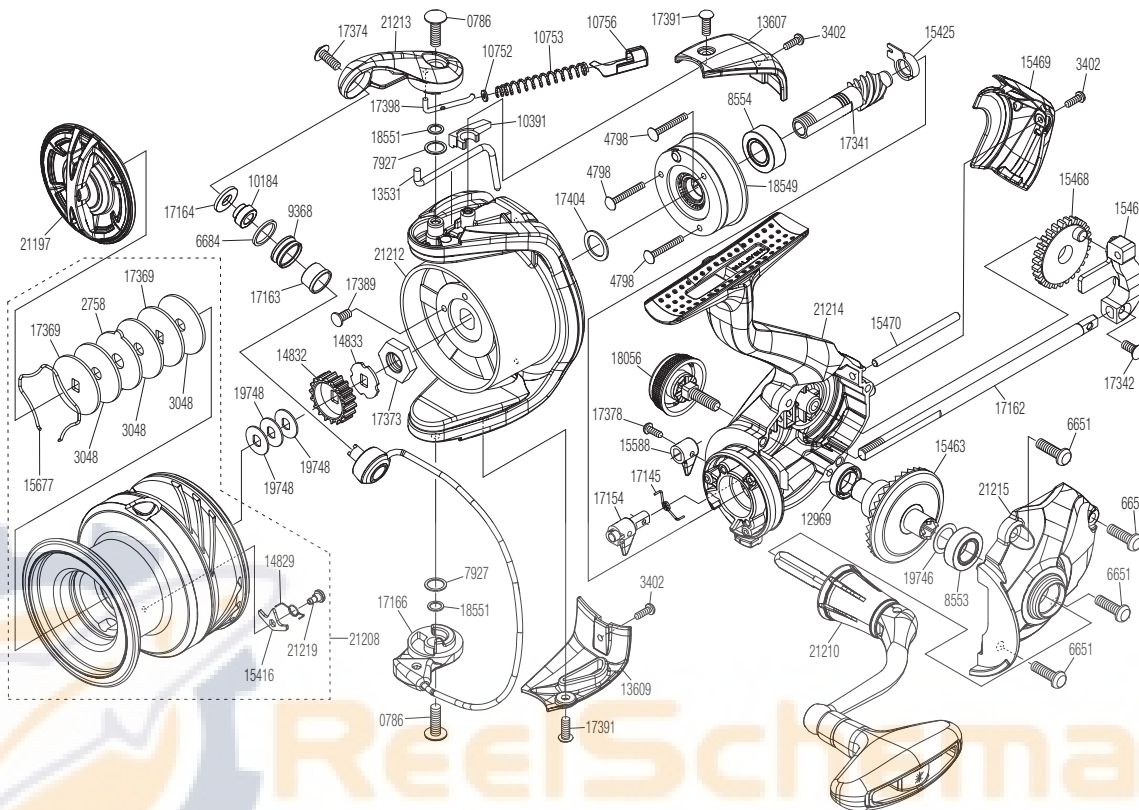


# SHIMANO

## SYMETRE

## SY-4000HG



Please note that the number of adjusting washers may not always be the same as shown in the exploded views.

(51SF43H044B)

Please note that your actions take full responsibility when you take it apart.

Part No.	Description	Part No.	Description	Part No.	Description
RD 0786	Screw	RD15416	Drag Click	RD17398	Bail Spring Guide A
RD 2758	Eared Washer	RD15425	Pinion Bushing	RD17404	Washer
RD 3048	Drag Washer	RD15463	Drive Gear	RD18056	Handle Screw Cap Assembly
RD 3402	Screw	RD15467	Oscillating Slider	RD18549	Roller Clutch Assembly
RD 4798	Screw	RD15468	Oscillating Gear	RD18551	Washer
RD 6651	Screw	RD15469	Rear Protector	RD19746	Washer
RD 6684	Line Roller Spacer	RD15470	Oscillating Guide	RD19748	Spool Washer
RD 7927	Washer	RD15588	Anti-Reverse Lever	RD21197	Drag Knob Assembly
RD 8553	Ball Bearing	RD15677	Drag Washers Retainer	RD21208	Spool Assembly
RD 8554	Ball Bearing	RD17145	Anti-Reverse Cam Spring	RD21210	Handle Assembly
RD 9368	Line Roller	RD17154	Anti-Reverse Cam	RD21212	Rotor
RD10184	Line Roller Bushing	RD17162	Main Shaft	RD21213	Bail Arm
RD10391	Bail Trip Cover	RD17163	Line Roller Collar	RD21214	Body
RD10752	Bail Spring Guide A Collar	RD17164	Washer	RD21215	Side Cover
RD10753	Bail Spring	RD17166	Bail Assembly	RD21219	Drag Click Pin
RD10756	Bail Spring Sheet	RD17341	Pinion Gear		
RD12969	Ball Bearing	RD17342	Screw		
RD13531	Bail Trip Lever	RD17369	Key Washer		
RD13607	Bail Spring Cover	RD17373	Rotor Nut		
RD13609	Bail Hold Support Guard	RD17374	Screw		
RD14829	Drag Click Spring	RD17378	Screw		
RD14832	Spool Support A	RD17389	Screw		
RD14833	Spool Support B	RD17391	Screw		